

1 2 3 4 5 6 7

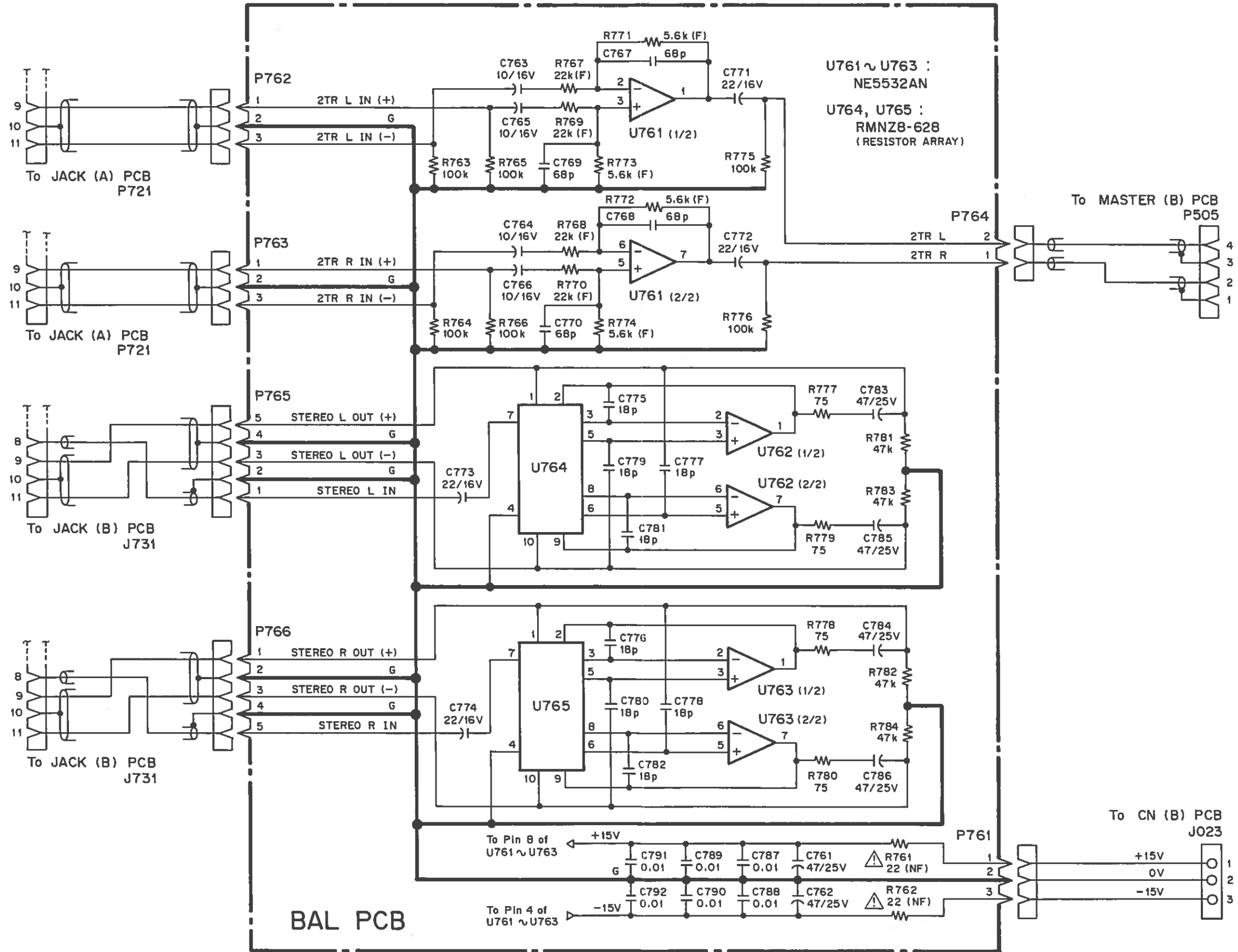
A

B

C

D

E



BAL PCB