

A

B

C

D

E

<p>EFF 1 PCB</p> <p>EFF 1 FDR -3 EFF 1 FDR -1 EFF 1 FDR -2 To FDR PCB J701</p> <p>EFF 2 OUT G EFF 2 IN To RTN (B) PCB (EFF 2) P354</p> <p>ST L FDR -3 ST L FDR -1 ST L FDR -2 To CON PCB P783</p> <p>ST R FDR -3 ST R FDR -1 ST R FDR -2 To CON PCB P781</p> <p>EFFECT 1 IN To JACK (B) PCB J731-1 -2</p> <p>STEREO L OUT To JACK (B) PCB J731-5 -6</p> <p>STEREO R OUT To JACK (B) PCB J731-5 -6</p>	<p>EFF 3 PCB</p> <p>EFF 3 FDR -3 EFF 3 FDR -1 EFF 3 FDR -2 To FDR PCB J701</p> <p>EFF 4 OUT G EFF 4 IN To RTN (B) PCB (EFF 4) P354</p> <p>GRP 3 FDR -3 GRP 3 FDR -1 GRP 3 FDR -2 To CON PCB P781</p> <p>GRP 4 FDR -3 GRP 4 FDR -1 GRP 4 FDR -2 To CON PCB P781</p> <p>EFFECT 3 IN To JACK (B) PCB J731-1 -2</p> <p>GRP 3 OUT To JACK (C) PCB P742-3 -4</p> <p>GRP 4 OUT To JACK (C) PCB P742-3 -4</p>
---	---

P874 ----- EFF 1 PCB
P876 ----- EFF 3 PCB

+15V
+15V
+15V
0V
0V
0V
-15V
-15V
+12V

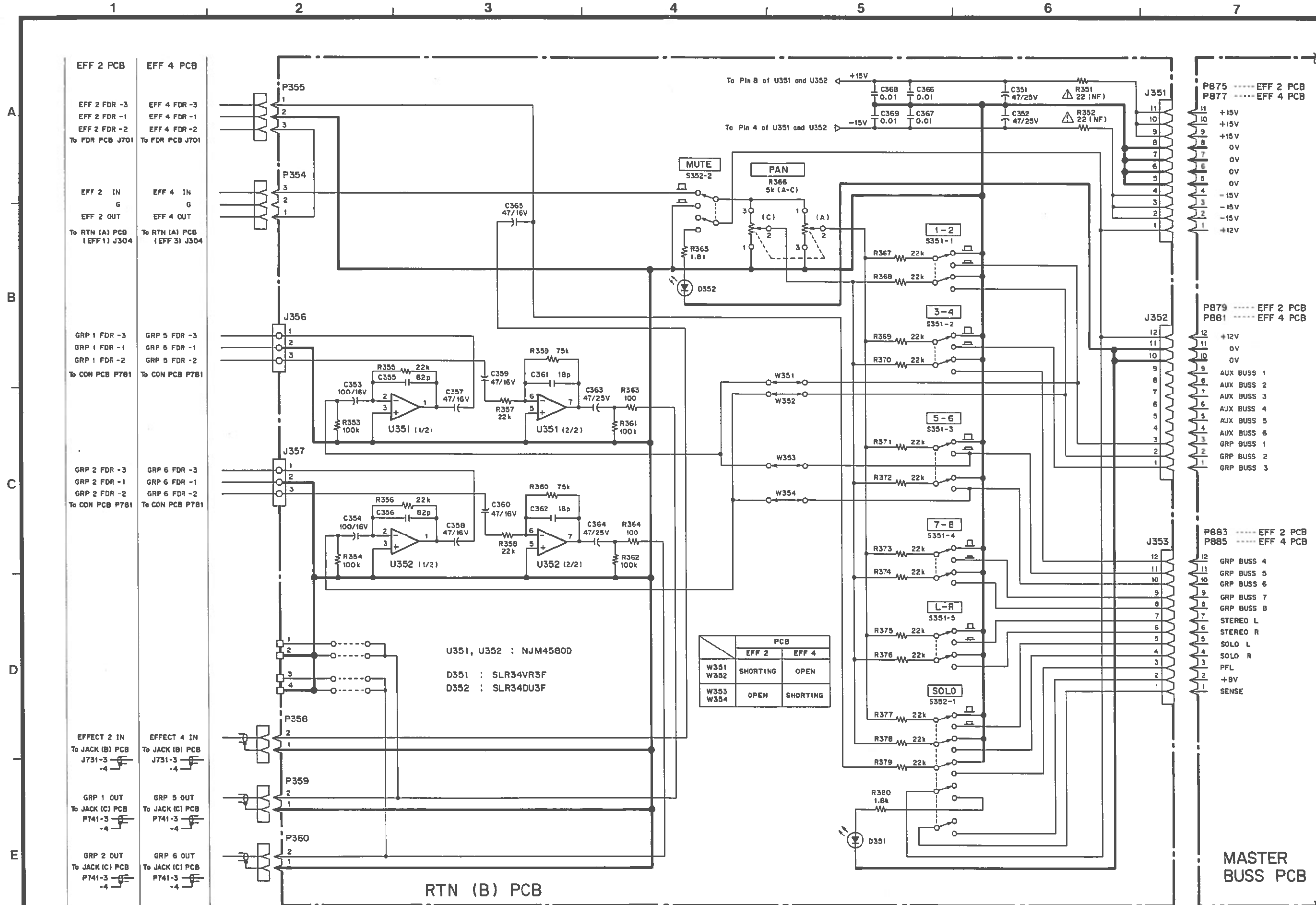
P878 ----- EFF 1 PCB
P880 ----- EFF 3 PCB

+12V
0V
0V
AUX BUSS 1
AUX BUSS 2
AUX BUSS 3
AUX BUSS 4
AUX BUSS 5
AUX BUSS 6
GRP BUSS 1
GRP BUSS 2
GRP BUSS 3

P882 ----- EFF 1 PCB
P884 ----- EFF 3 PCB

GRP BUSS 4
GRP BUSS 5
GRP BUSS 6
GRP BUSS 7
GRP BUSS 8
STEREO L
STEREO R
SOLO L
SOLO R
PFL
+BV
SENSE

MASTER BUSS PCB



EFF 2 PCB EFF 4 PCB

EFF 2 FDR -3 EFF 4 FDR -3
 EFF 2 FDR -1 EFF 4 FDR -1
 EFF 2 FDR -2 EFF 4 FDR -2
 To FDR PCB J701 To FDR PCB J701

EFF 2 IN EFF 4 IN
 G G
 EFF 2 OUT EFF 4 OUT
 To RTN (A) PCB To RTN (A) PCB
 (EFF 1) J304 (EFF 3) J304

GRP 1 FDR -3 GRP 5 FDR -3
 GRP 1 FDR -1 GRP 5 FDR -1
 GRP 1 FDR -2 GRP 5 FDR -2
 To CON PCB P781 To CON PCB P781

GRP 2 FDR -3 GRP 6 FDR -3
 GRP 2 FDR -1 GRP 6 FDR -1
 GRP 2 FDR -2 GRP 6 FDR -2
 To CON PCB P781 To CON PCB P781

EFFECT 2 IN EFFECT 4 IN
 To JACK (B) PCB To JACK (B) PCB
 J731-3 J731-3
 -4 -4

GRP 1 OUT GRP 5 OUT
 To JACK (C) PCB To JACK (C) PCB
 P741-3 P741-3
 -4 -4

GRP 2 OUT GRP 6 OUT
 To JACK (C) PCB To JACK (C) PCB
 P741-3 P741-3
 -4 -4

P875 ----- EFF 2 PCB
 P877 ----- EFF 4 PCB

+15V
 +15V
 +15V
 0V
 0V
 0V
 0V
 -15V
 -15V
 -15V
 +12V

P879 ----- EFF 2 PCB
 P881 ----- EFF 4 PCB

+12V
 0V
 0V
 AUX BUSS 1
 AUX BUSS 2
 AUX BUSS 3
 AUX BUSS 4
 AUX BUSS 5
 AUX BUSS 6
 GRP BUSS 1
 GRP BUSS 2
 GRP BUSS 3

P883 ----- EFF 2 PCB
 P885 ----- EFF 4 PCB

GRP BUSS 4
 GRP BUSS 5
 GRP BUSS 6
 GRP BUSS 7
 GRP BUSS 8
 STEREO L
 STEREO R
 SOLO L
 SOLO R
 PFL
 +BV
 SENSE

	PCB	
	EFF 2	EFF 4
W351 W352	SHORTING	OPEN
W353 W354	OPEN	SHORTING

U351, U352 : NJM4580D
 D351 : SLR34VR3F
 D352 : SLR34DU3F

RTN (B) PCB

MASTER BUSS PCB