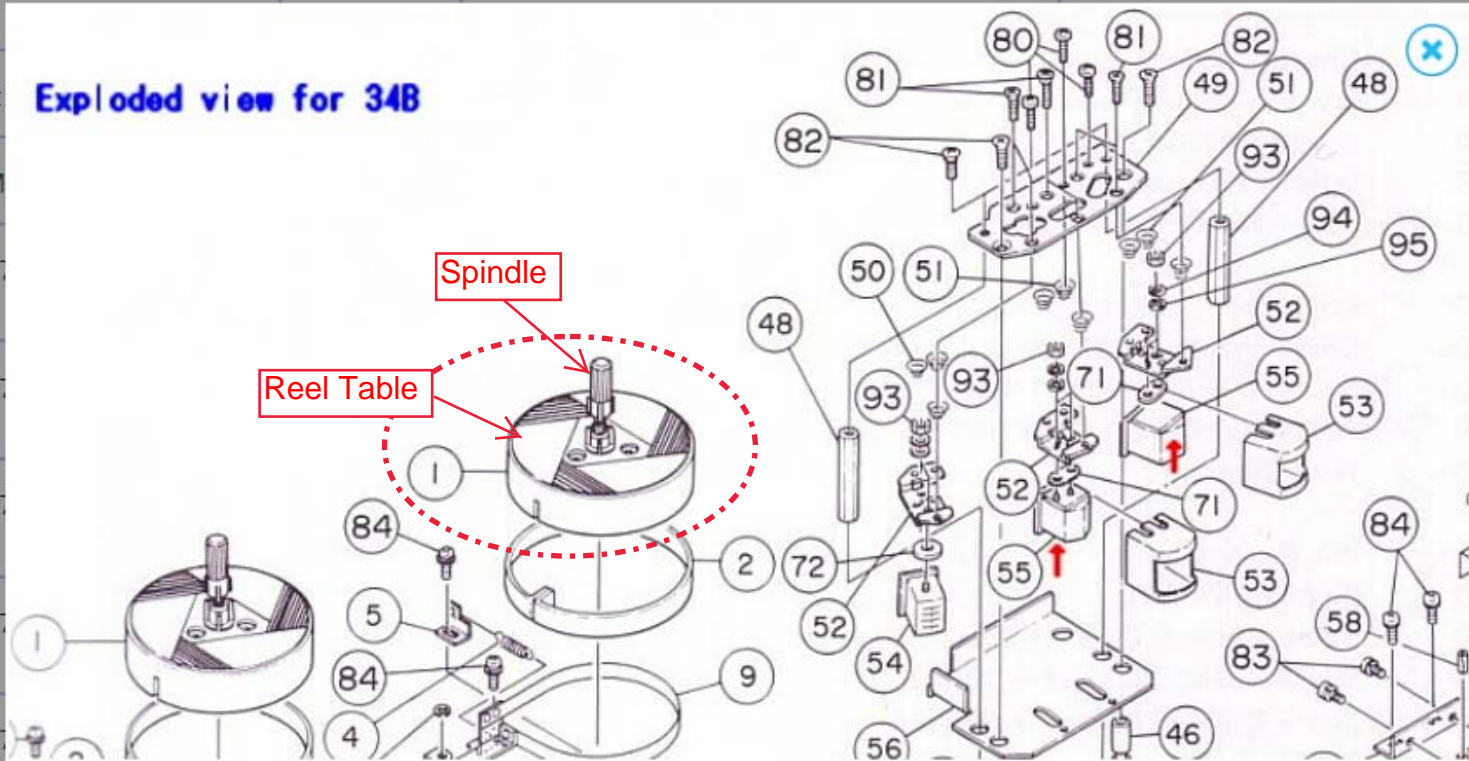


## Exploded view for 34B



REF. NO.	PARTS NO.	DESCRIPTION	COMMON MODELS	RE
3 - 51	5520182000	Spring, D	A-5300	
3 - 52	*5800311200	Bracket, Head	34	
3 - 53	*5800329200	Shield Case, Head	34	
3 - 54	5569240000	Head Assy, ERASE; 4T-4ch		
3 - 55	5378301400	Head Assy, REC/PLAY; 4T-4ch		
3 - 56	*5800311300	Base, Lower	34	
3 - 57	*5800317700	Shield Plate, Solenoid	38	
3 - 58	*5786303012	Pin, Spring; $\phi 3 \times 12$		
3 - 59	5313001600	Solenoid, Pinch Roller		
3 - 60	*5800171000	Bracket, Solenoid	X-3R	