

Installation Guide

For Lynx JVC Type B Cables

TIMELINE VISTA, INC.
1755 LA COSTA MEADOWS DRIVE, SUITE B
SAN MARCOS, CA 92069
TEL. 760-761-4440
(FAX 760-761-4449)
SUPPORT@DIGAUDIO.COM

JVC BR-611, BR-811 and BR-7700 Transports

DATE: 10/10/94

MODEL: Lynx Time Code Module
Lynx-2 Time Code Module

REVISION: All

SERIAL NO: All

SOFTWARE: All

REQUIRED TOOLS:

Phillips screwdriver

REQUIRED PARTS:

JVC Type B Cable, TimeLine Part Number 71C007

DESCRIPTION:

This installation guide applies to BR-611, BR-811 and BR-7700 users only! As the JVC Type B Cable can be used for several different JVC models, a slight modification of the cable is required only when interfacing to the three transports listed above. The modification for the cable is simple and outlined below.

PROCEDURE:

The JVC BR-611, BR-811 and BR-7700 require that a ground wire be tied to Pin 15 of the JVC connector.

Inside the JVC male connector on every TimeLine JVC Type B Cable is a pinned wire covered with shrink wrap.

1. Remove the two phillips retaining screws for the JVC connector shell and remove the two sections of the shell.
2. Locate the uninserted pin covered with shrink wrap.
3. Remove the shrink wrap and insert the pin into position 15, Remote Enable.
4. Reassemble the shell and attach the retaining screws.

PROCEDURE (continued):

Lynx JVC Type B Cable

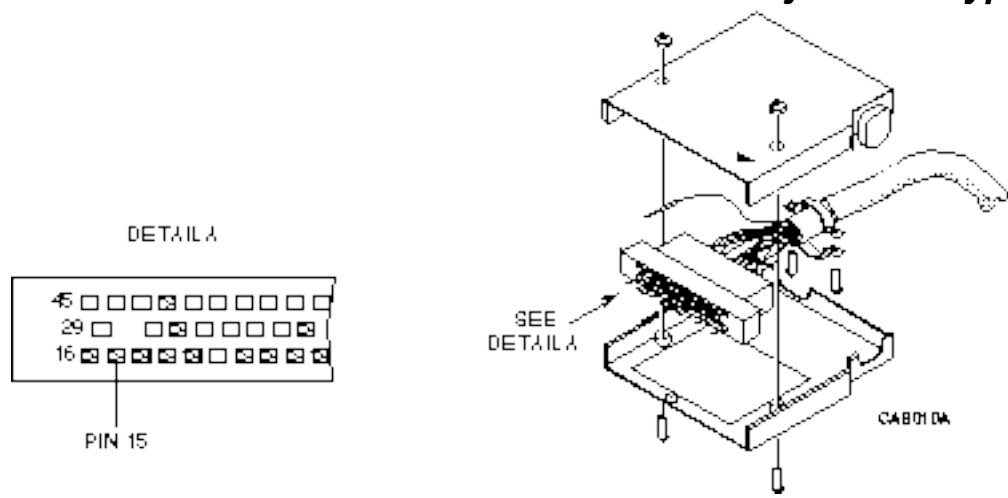


Figure 1. Pin Location