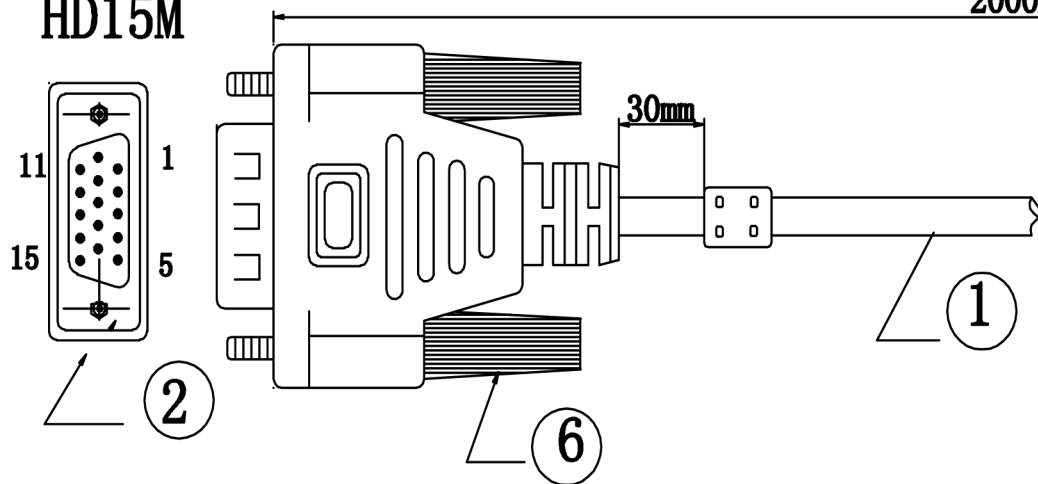
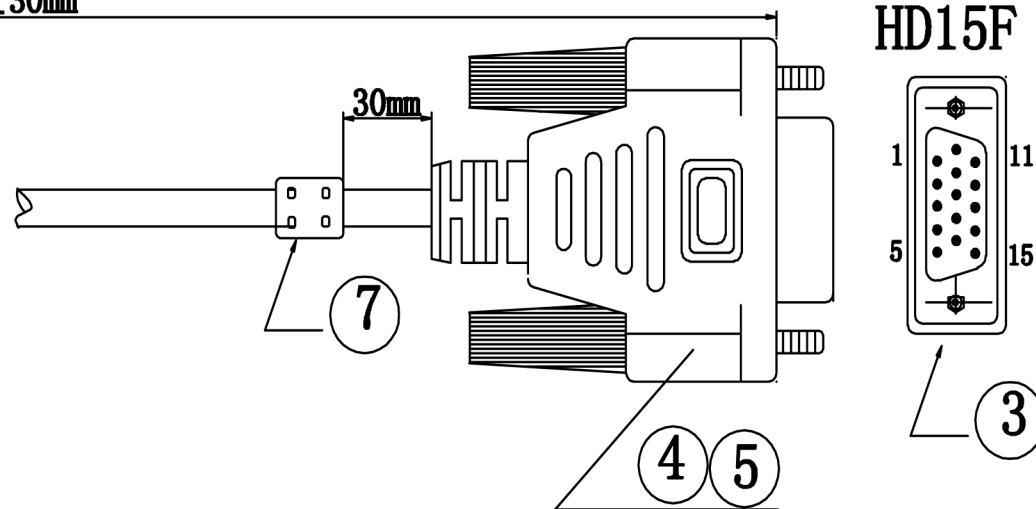


HD15M

2000mm±30mm



HD15F

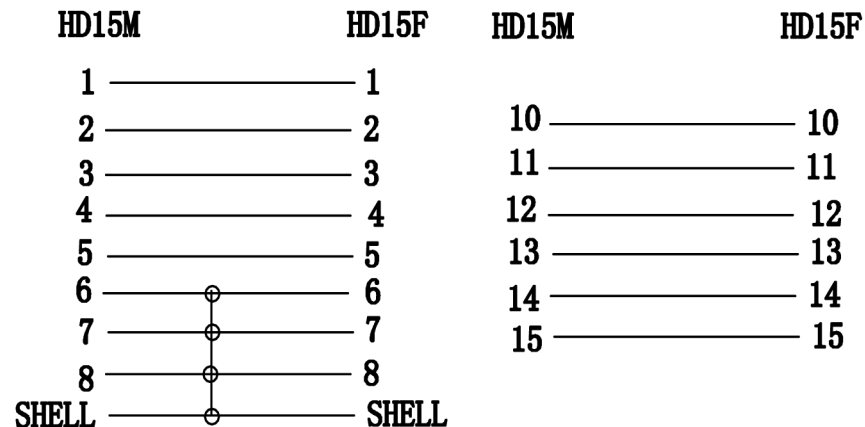


III、TESTING PARAMETER:

INSULATION RESISTANCE :5M

CONDUCTOR RESISTANCE :10Ω

II、Wiring Diagram:



I、Material List:

No.	Material	Specification	Unit	Quan.
1	Cable	30AWG7/0.10 (PE)AC*3C/CU+30AWG7/0.10CCS*8C+AL+D/AWG/7*0.10 CCS With 2Pieces Ferrite cores	Pcs	1
2	Plug	HDB15 Male Nickel-plated	Pcs	1
3	Plug	HDB15 Female Nickel-plated	Pcs	1
4	Inner Mold	LD PE	Gram	
5	Outer Mold	45P Black PVC	Gram	
6	Screw	2.3mm*33mm	PCS	4
7	Magnetic Core	9.8*13.5*6.35	PCS	2

	SCALE:	UNIT:	REV.:	DRAWER: MR. Zhangwei
	NO.	MM.	A	
CUSTOMER:	NAME: HD15M/HD15F			CHECKED BY :
NO:	DATE:			APPROVED BY: Bob Luo
				MANAGE CHECKED: