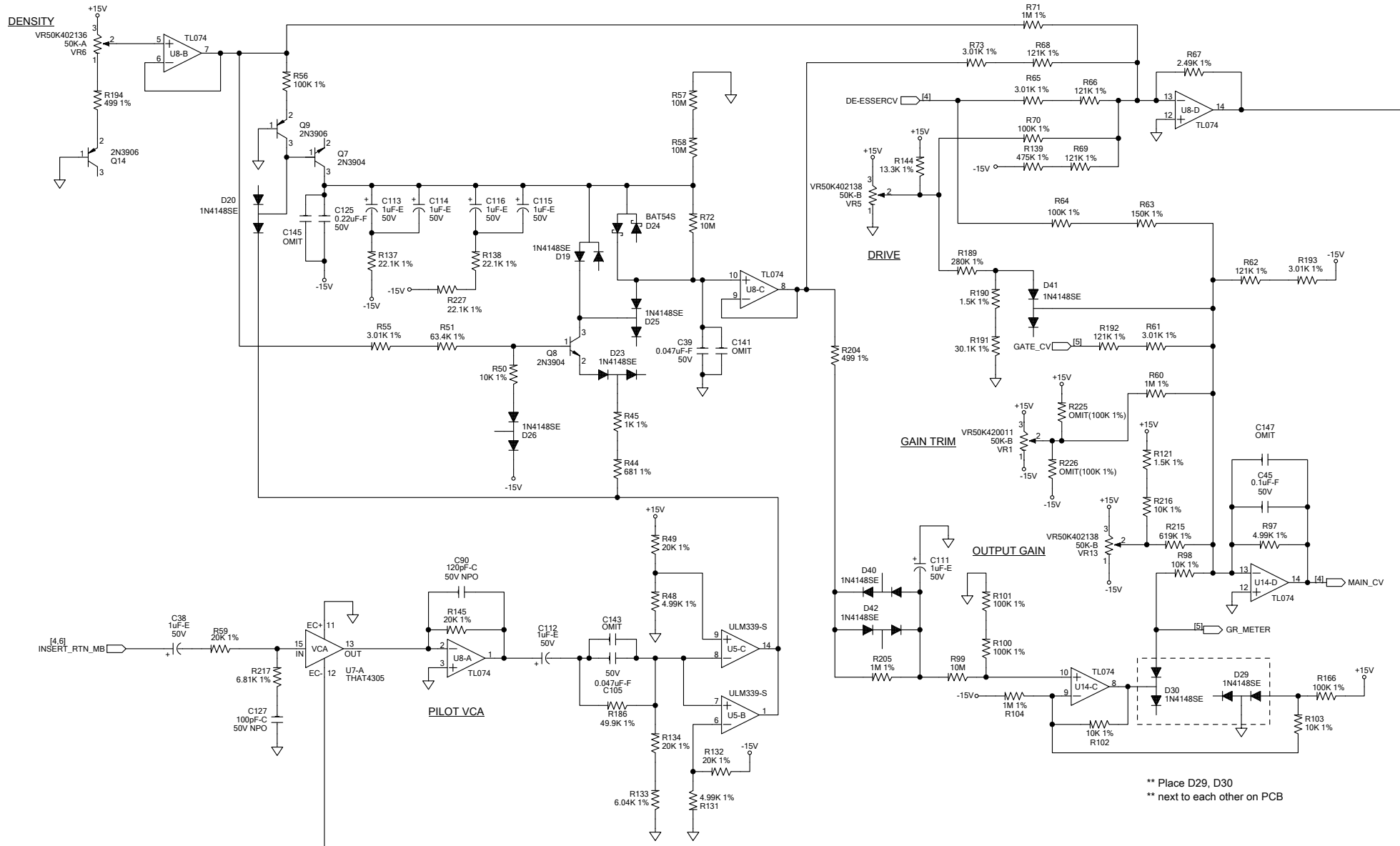
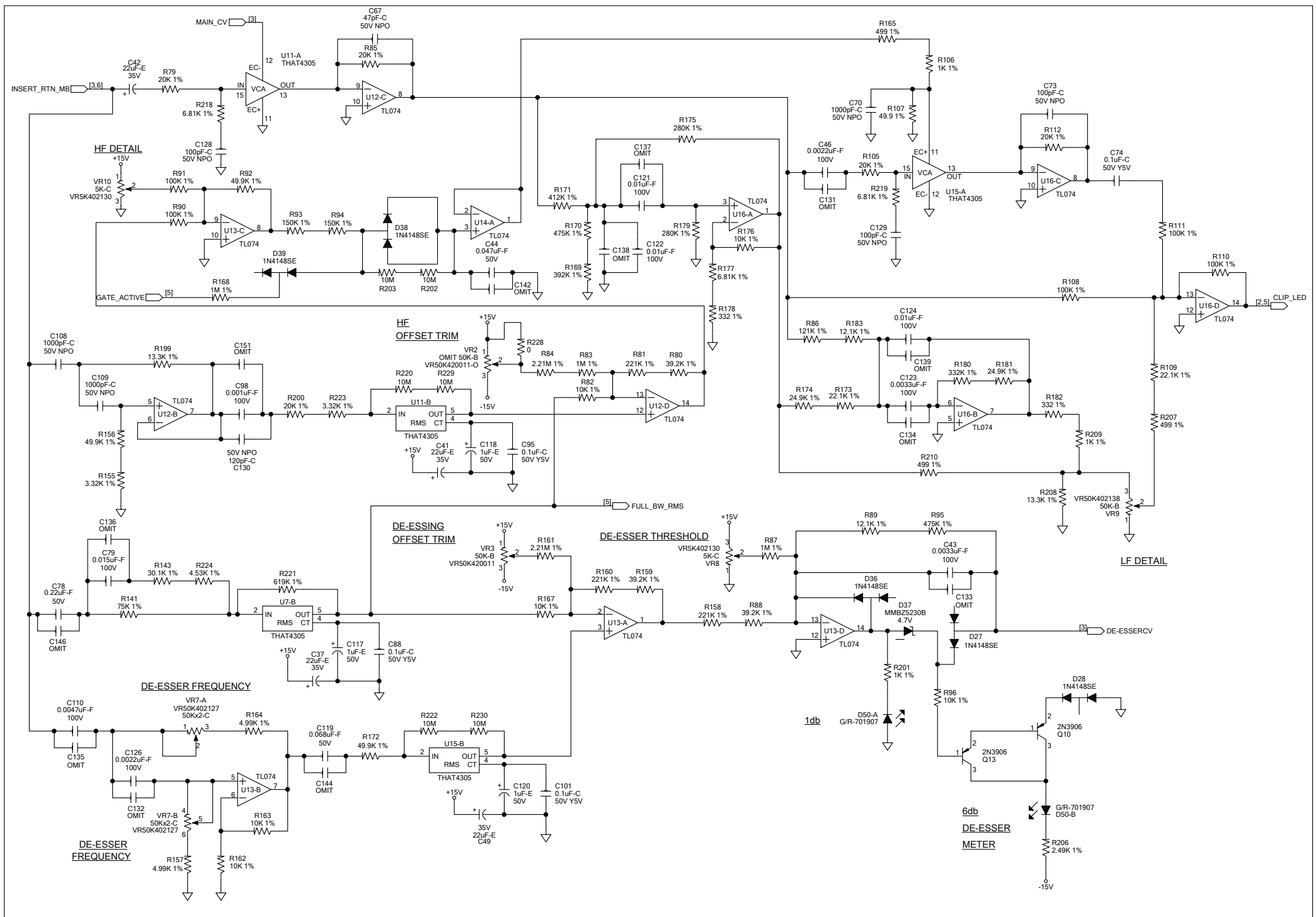
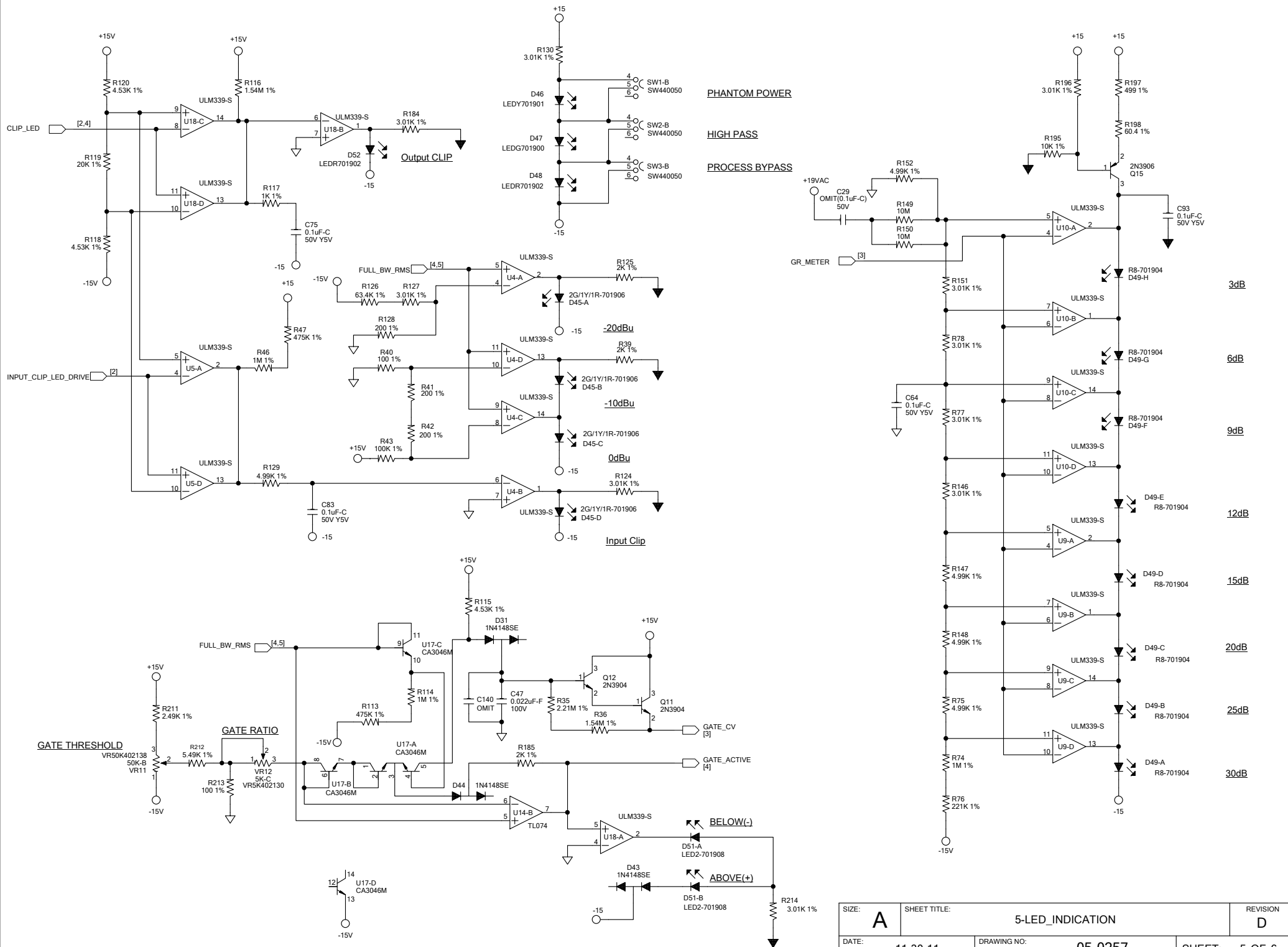


SIZE: A	SHEET TITLE: 2-INPUT_OUTPUT_JACK	REVISION D
DATE: 11-30-11	DRAWING NO: 05-0257	SHEET: 2 OF 6

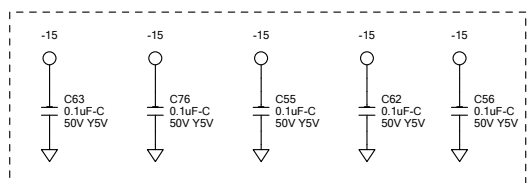
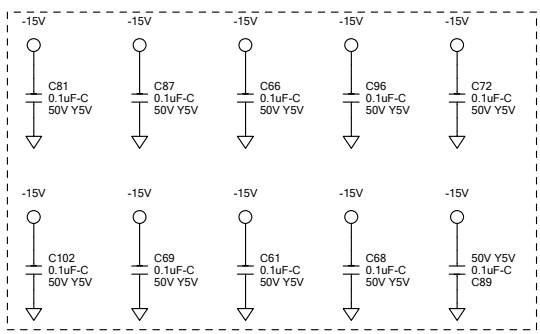
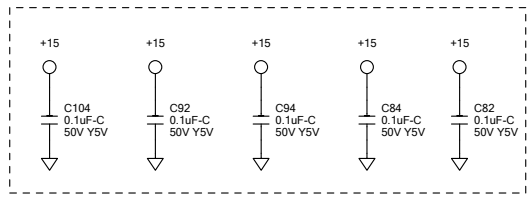
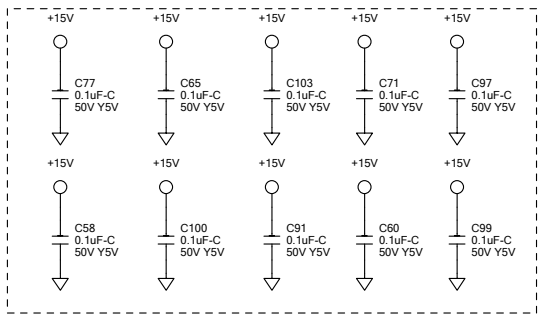
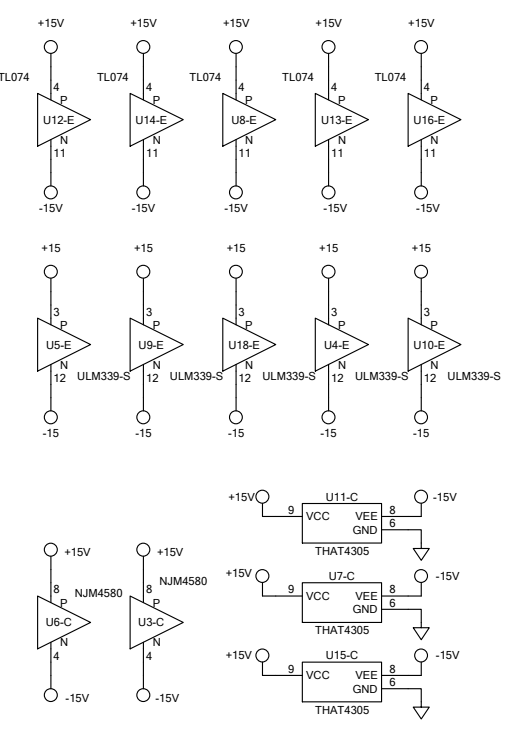
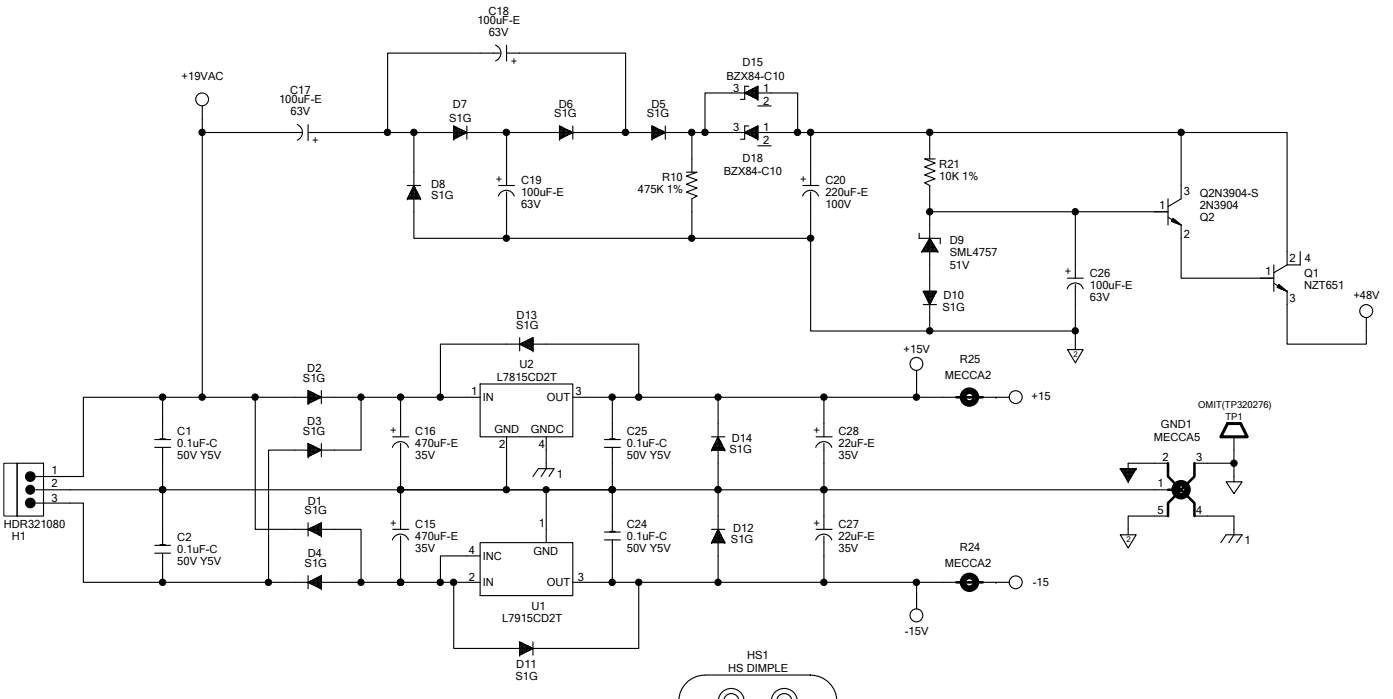
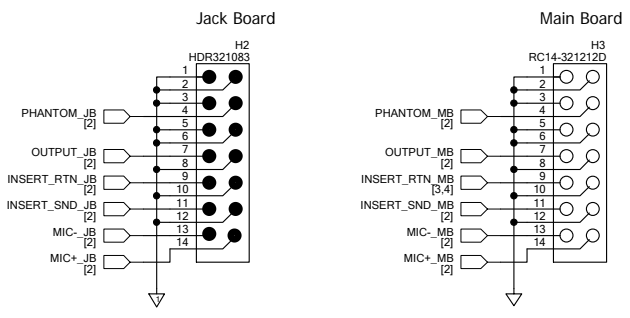




SIZE: A	SHEET TITLE: 4-SIGNAL_PROCESS2	REVISION D
DATE: 11-30-11	DRAWING NO: 05-0257	SHEET: 4 OF 6



SIZE: A	SHEET TITLE: 5-LED_INDICATION	REVISION D
DATE: 11-30-11	DRAWING NO.: 05-0257	SHEET: 5 OF 6



SIZE: A	SHEET TITLE: 6-POWER_SUPPLY	REVISION: D
DATE: 11-30-11	DRAWING NO: 05-0257	SHEET: 6 OF 6

Bill Of Materials for 050257D.sch on Wed Nov 30 10:29:34 2011

Qty	Reference	HMG#	Description	AUDIT	PART-TYPE	PCB DECAL
1	PCB1	80-0257	PCB 80-0257 dbx 286B	PT2142	80XXXXYY,80-0257	BARCODE
12	A9-20	NON-PART	NON-PART PCB ONLY BREAKOFF PART	PT1481	BRKOFF,BRKOFF	BRKOFF
1	C98	56-0000	CAP 0.001uF FILM PTR 100V 5% AF TA	PT1629	C0.001UF100JR,0.001uF-F,5%	RFCC200
2	C46 C126	56-0002	CAP 0.0022uF FILM PTR 100V 5% RF TA	PT1001	C0.0022UF100JR,0.0022uF-F,5%	RFCC200
2	C43 C123	56-0003	CAP 0.0033uF FILM PTR 100V 5% RF TA	PT1103	C0.0033UF100JR,0.0033uF-F,5%	RFCC200
1	C110	56-0004	CAP 0.0047uF FILM PTR 100V 5% RF TA	PT1201	C0.0047UF100JR,0.0047uF-F,5%	RFDC200
1	C79	56-0007	CAP 0.015uF FILM PTR 100V 5% RF TA	PT1198	C0.015UF100JR,0.015uF-F,5%	RFDD200
3	C121-122 C124	56-0006	CAP 0.01uF FILM PTR 100V 5% RF TA	PT1379	C0.01UF100JR,0.01uF-F,5%	RFDD200
1	C47	56-0008	CAP 0.022uF FILM PTR 100V 5% RF TA	PT1399	C0.022UF100JR,0.022uF-F,5%	RFED200
3	C39 C44 C105	56-0010	CAP 0.047uF FILM MTPT 50V 5% RF TA	PT1002	C0.047UF50JR,0.047uF-F,5%	RFEC200
1	C119	56-0011	CAP 0.068uF FILM MTPT 50V 5% RF TA	PT1076	C0.068UF50JR,0.068uF-F,5%	RFEC200
44	C1-2 C24-25 C40 C48 C55-56 C58 C60-66 C68-69 C71-72 C74-77 C81-84 C87-89 C91-97 C99-104	62-1312	CAP 0.1uF CER 50V +80%/-20% Y5V 0603 TA	PT2687	C0.1UC50Z0603,0.1uF-C,+80%/-20%	0603
1	C29	OMIT	OMIT CAP 0.1uF CER 50V +80%/-20% Y5V 0603 TA (62-1312)	PT2805	C0.1UC50Z06030,OMIT(0.1uF-C),+80%/-20%	0603
4	C45 C57 C106-107	56-0012	CAP 0.1uF FILM MTPT 50V 5% RF TA	PT1200	C0.1UF50JR,0.1uF-F,5%	RFEC200
2	C78 C125	56-0014	CAP 0.22uF FILM MTPT 50V 5% RF TA	PT1077	C0.22UF50JR,0.22uF-F,5%	RFED200
3	C70 C108-109	62-1321	CAP 1000pF CER 50V 5% NPO 0603 TA	PT3492	C1000PC50J0603,1000pF-C,5%	0603
1	C33	60-0031	CAP 1000uF EL 6.3V 20% 8x10.2 SM TA	PT3789	C1000UE6.3M8X10.2S,1000uF-E,20%	CAP8X10.2
4	C73 C127-129	62-0320	CAP 100pF CER 50V 5% NPO 0603 TA	PT3494	C100PC50J0603,100pF-C,5%	0603
5	C17-19 C23 C26	60-0022	CAP 100uF EL 63V 20% HT 10x10.2 SM TA	PT3210	C100UE63M10X10.2S,100uF-E,20%	CAP10X10.2
2	C30 C34	62-0310	CAP 10pF CER 50V 5% NPO 0603 TA	PT3499	C10PC50J0603,10pF-C,5%	0603
2	C90 C130	62-1304	CAP 120pF CER 50V 5% NPO 0603 TA	PT2655	C120PC50J0603,120pF-C,5%	0603
2	C53-54	62-0094	CAP 18pF CER 50V 5% COG 0603 TA	PT2870	C18PC50J0603,18pF-C,5%	0603
10	C38 C111-118 C120	60-0202	CAP 1uF EL 50V 20% GP 4x5.5 SM TA	PT3234	C1UE50M4X5.4S,1uF-E,20%	CAP4X5.4
11	C3-6 C11-14 C31-32 C35	62-1313	CAP 220pF CER 50V 5% NPO 0603 TA	PT2923	C220PC50J0603,220pF-C,5%	0603
1	C20	60-0303	CAP 220uF ELEC 100V 20% 13X25 5LP BK	PT1842	C220UE100MR,220uF-E,20%	REQ200P
9	C27-28 C36-37 C41-42 C49-50 C85	60-0023	CAP 22uF EL 35V 20% GP 6.3x5.5 SM TA	PT3212	C22UE35M6.3X5.5S,22uF-E,20%	CAP6.3X5.4
4	C7-10	62-1314	CAP 470pF CER 50V 5% NPO 0603 TA	PT2921	C470PC50J0603,470pF-C,5%	0603
2	C15-16	60-0060	CAP 470uF EL 35V 20% GP 10x20R 5LL TA	PT1081	C470UE35MR,470uF-E,20%	REM200P
4	C59 C67 C80 C86	62-1302	CAP 47pF CER 50V 5% NPO 0603 TA	PT2657	C47PC50J0603,47pF-C,5%	0603
4	C21-22 C51-52	60-0026	CAP 47uF EL 63V 20% HT ESR 8X10.2 SM TA	PT3520	C47UE63M8X10.2S,47uF-E,20%	CAP8X10.2
20	D19-20 D23 D25-31 D34-36 D38-44	70-0113	DIO MMBD4148SE DUAL 75V 600mA SOT-23 CB	PT3957	D1N4148SE-S,1N4148SE	SOT-23
1	D24	70-0174	DIO BAT54S 30V DUAL SCHOTTKY SOT23	PT3535	DBAT54S-S,BAT54S	SOT-23
2	D15 D18	70-0205	DIO BZX84-C10 ZENER 10V 300MW SM	PT3383	DBZX84-C10-S,BZX84-C10	SOT-23
1	D37	70-0121	DIO MMBZ5230B ZENER 4.7V SOT-23 TA	PT3226	DMMBZ5230B-S,MMBZ5230B	SOT-23
17	D1-8 D10-14 D16-17	70-3203	DIO RECT 1N4004 S1G 400V 1.0A SM TA	PT2081	DS1G-S,S1G	DO-214AC/SMA

1	D21-22						
1	D9	70-0264	DIO SML4757 ZENER 51V 1W 5% DO-214 SM TA	PT4213	DSML4757-S,SML4757	SMA	
2	D32-33	70-0201	DIO TVS 1SMA15CAT3 BI-Dir VBR=16.7 SM	PT3765	DTVS15V-S,1SMA15CAT3TVS	SMA	
4	A2 A4-5 A8	NON-PART	NON-PART FIDUCIAL TARGET FOR AUTO INSERTION	PT2904	FIDUCIAL-AI,FIDUCIAL-AI	FIDUCIAL-AI	
4	A1 A3 A6-7	NON-PART	NON-PART FIDUCIAL TARGET FOR XRAY	PT2905	FIDUCIAL-XRAY,	FIDUCIAL-XRAY	
					FIDUCIAL-XRAY		
1	H1	32-1080	HDR 3PIN 1X3 0.100 SPC LCK VRT ML	PT1073	HDR321080,HDR321080	HC31V100LM	
1	H2	32-1083	HDR 14PIN 2X7 0.100 SPC VRT ML	PT1074	HDR321083,HDR321083	HC72	
1	J1	32-0206	CON JACK XLR R/A PCA A SERIES	PT1219	J320206,J320206	XLRF-1	
3	J2-4	32-0214	CON JACK 1/4 PHONO FULL THREAD SLIM GND	PT3074	J320214,J320214	J320214	
1	LBL1	30-0121	LABEL BARCODE AUTOINSERTABLE RAW	PT2790	LABEL300121,30-0121	LABEL300121	
1	D50	70-1907	LED GRN/RED RA W/HSING BK	PT4179	LED2-701907,G/R-701907	D701907	
1	D51	70-1908	LED RED/GRN R/A ANTI-TIP	PT1092	LED2-701908,R/G2-701903	D701908	
1	D45	70-1906	LED GRN/GRN/YEL/RED RA W/HSING BK	PT4178	LED4-701906,	D701906	
					2G/1Y/1R-701906		
1	D47	70-1900	LED GRN R/A ANTI-TIP HOUSING	PT2043	LEDG701900,LEDG701900	D701900	
2	D48 D52	70-1902	LED RED R/A ANTI-TIP	PT1133	LEDR701902,LEDR701902	D701902	
1	D49	70-1904	LED 8 POS RED R/A ANTI-TIP	PT1091	LEDR8-701904,R8-701904	D701904	
1	D46	70-1901	LED YEL R/A ANTI-TIP	PT2104	LEDY701901,LEDY701901	D701901	
2	R8-9	26-0000	IND FBD 600 OHM @ 100MHz 200mA 0603 FUT	PT2728	LFB260000,600 100MHz	0603	
2	R11-12	26-0001	IND FBD 2.5K OHM @ 100Hz 50mA 0603 TA	PT2729	LFB260001,2.5K 100MHz,1%	0603	
2	R24-25	NON-PART	NON-PART MECCA GND/PWR TIE POINT 2 POS	PT2970	MECCA2,MECCA2,5%	MECCA2	
1	GND1	NON-PART	NON-PART MECCA GND/PWR TIE POINT 5 POS	PT2479	MECCA5,MECCA5	MECCA5	
1	MH1	NON-PART	NON-PART MOUNTING HOLE 0.156" NON-PLATED #6	PT3000	MH156,MH156	MH156	
2	MH3-4	NON-PART	NON-PART MOUNTING HOLE 0.156" NON-PLATED #6	PT3000	MH156,MH156	MH156-DIMPLE1160	
2	MH5-6	NON-PART	NON-PART TOOLING PIN HOLE 156MIL HOLE	PT2794	MH156-TOOL,MH156-TOOL	MH156-TOOL	
1	MH2	NON-PART	NON-PART MECHANICAL PLATED HOLE 300 PAD 156 HOLE #6	PT3001	MP300H156,MP300H156	MP300H156	
1	HS1	NON-PART	NON-PART SMT HEATSINK DIMPLE 300P 156H #6	PT2816	MP300H156-HSDMP,HS	MP300H156-HSDMP-1	
					DIMPLE		
2	C131-132	OMIT	OMIT 0603	PT4080	OMIT-0603,OMIT,OMIT	0603	
7	C133-135 C137-139 C151	OMIT	OMIT 0805	PT4081	OMIT-0805,OMIT,OMIT	0805	
5	C136 C140-143	OMIT	OMIT 1206	PT4082	OMIT-1206,OMIT,OMIT	1206	
5	C144 C147-150	OMIT	OMIT 1210	PT4210	OMIT-1210,OMIT,OMIT	1210	
2	C145-146	OMIT	OMIT 2416	PT4211	OMIT-2416,OMIT,OMIT	2416	
5	Q2 Q7-8 Q11-12	70-1058	XSTR 2N3904 NPN SOT-23 TA	PT1203	Q2N3904-S,2N3904	SOT-23	
5	Q9-10 Q13-15	70-1059	XSTR 2N3906 PNP SOT-23 SM TA	PT1057	Q2N3906-S,2N3906	SOT-23	
2	Q3 Q5	70-0180	XSTR BC846 NPN SOT-23	PT3292	QBC846-S,BC846	SOT-23	
2	Q4 Q6	70-0209	XSTR MBT4403 PNP 40V SOT23 SM TA	PT3718	QMMBT4403-S,MMBT4033	SOT-23	
1	Q1	70-3196	XSTR NPN NZT651 CURRENT DRV SOT223 AR	PT3885	QNZT651-S,NZT651	SOT223	
1	R228	50-1300	RES 0 5% 1/16W SM 0603 TA	PT2508	R0-B5-0603,0,5%	0603	
4	R26-27 R32-33	52-4571	RES 1.21K 1% 1/4W SM MELF 1406	PT3657	R1.21K-E1-MELF-1406,	MELF-1406	
					1.21K 1%,1%		
2	R36 R116	52-1373	RES 1.54M 1% 1/16W SM 0603 TA	PT2626	R1.54MB1-0603,1.54M 1%,	0603	
					1%		
3	R121 R123 R190	52-1314	RES 1.5K 1% 1/16W SM 0603 TA	PT2551	R1.5KB1-0603,1.5K 1%,1%	0603	
1	R3	52-0231	RES 10 1% 1/16W SM 0603 TA	PT3971	R10-B1-0603,10,1%	0603	
2	R17-18	52-0208	RES 10.0K 1% 1/4W SM MELF 1406 TA	PT3748	R10.0K-E1-MELF-1406,	MELF-1406	
					10.0K 1%,1%		
2	R40 R213	52-1304	RES 100 1% 1/16W SM 0603 TA	PT2512	R100-B1-0603,100 1%,1%	0603	
13	R22 R43 R56 R64 R70 R90-91 R100-101 R108 R110-111 R166	52-1360	RES 100K 1% 1/16W SM 0603 TA	PT2613	R100KB1-0603,100K 1%,1%	0603	
2	R225-226	OMIT	OMIT RES 100K 1% 1/16W SM 0603 TA (52-1360)	PT3454	R100KB1-0603O,OMIT(100K	0603	
					1%),1%		
14	R21 R50 R82 R96 R98 R102-103 R153 R162-163 R167 R176 R195 R216	52-1338	RES 10K 1% 1/16W SM 0603 TA	PT2584	R10KB1-0603,10K 1%,1%	0603	
12	R57-58 R72 R99	50-1338	RES 10M 5% 1/16W SM 0603 TA	PT2648	R10MB5-0603,10M,5%	0603	

2	R149-150 R202-203 R220 R222 R229-230 R89 R183	52-1341	RES 12.1K 1% 1/16W SM 0603 TA	PT2593 R12.1KB1-0603,12.1K 1%, 1%	0603
6	R62 R66 R68-69 R86 R192	52-1361	RES 121K 1% 1/16W SM 0603 TA	PT2614 R121KB1-0603,121K 1%,1%	0603
3	R144 R199 R208	52-1342	RES 13.3K 1% 1/16W SM 0603 TA	PT2594 R13.3KB1-0603,13.3K 1%, 1%	0603
3	R63 R93-94	52-1362	RES 150K 1% 1/16W SM 0603 TA	PT2615 R150KB1-0603,150K 1%,1%	0603
10	R15-16 R23 R45 R106 R117 R142 R201 R209 R231	52-1313	RES 1K 1% 1/16W SM 0603 TA	PT2550 R1KB1-0603,1K 1%,1%	0603
12	R46 R60 R71 R74 R83 R87 R104 R114 R168 R187-188 R205	52-1372	RES 1M 1% 1/16W SM 0603 TA	PT2625 R1MB1-0603,1M 1%,1%	0603
3	R35 R84 R161	52-1374	RES 2.21M 1% 1/16W SM 0603 TA	PT2627 R2.21MB1-0603,2.21M 1%, 1%	0603
3	R67 R206 R211	52-1318	RES 2.49K 1% 1/16W SM 0603 TA	PT2556 R2.49KB1-0603,2.49K 1%, 1%	0603
2	R19-20	52-0334	RES 20 1% 1/4W SM MELF 1406 TA	PT4095 R20-E1-MELF-1406,20 1%, 1%	MELF-1406
2	R28 R34	52-4572	RES 20.0K 1% 1/4W MELF SM 1406 TA	PT3658 R20.0K-E1-MELF-1406, 20.0K 1%,1%	MELF-1406
3	R41-42 R128	52-1306	RES 200 1% 1/16W SM 0603 TA	PT2514 R200-B1-0603,200 1%,1%	0603
17	R49 R52-54 R59 R79 R85 R105 R112 R119 R132 R134-136 R140 R145 R200	52-1346	RES 20K 1% 1/16W SM 0603 TA	PT2598 R20KB1-0603,20K 1%,1%	0603
5	R109 R137-138 R173 R227	52-1347	RES 22.1K 1% 1/16W SM 0603 TA	PT2599 R22.1KB1-0603,22.1K 1%, 1%	0603
4	R76 R81 R158 R160	52-1364	RES 221K 1% 1/16W SM 0603 TA	PT2617 R221KB1-0603,221K 1%,1%	0603
2	R174 R181	52-1349	RES 24.9K 1% 1/16W SM 0603 TA	PT2601 R24.9KB1-0603,24.9K 1%, 1%	0603
3	R175 R179 R189	52-1365	RES 280K 1% 1/16W SM 0603 TA	PT2618 R280KB1-0603,280K 1%,1%	0603
4	R39 R122 R125 R185	52-1316	RES 2K 1% 1/16W SM 0603 TA	PT2553 R2KB1-0603,2K 1%,1%	0603
2	R29-30	52-0209	RES 3.01K 1% 1/4W SM MELF 1406 TA	PT3811 R3.01K-E1-MELF-1406, 3.01K 1%,1%	MELF-1406
15	R55 R61 R65 R73 R77-78 R124 R127 R130 R146 R151 R184 R193 R196 R214	52-1321	RES 3.01K 1% 1/16W SM 0603 TA	PT2559 R3.01KB1-0603,3.01K 1%, 1%	0603
2	R155 R223	52-1324	RES 3.32K 1% 1/16W SM 0603 TA	PT2562 R3.32KB1-0603,3.32K 1%, 1%	0603
2	R143 R191	52-1352	RES 30.1K 1% 1/16W SM 0603 TA	PT2604 R30.1KB1-0603,30.1K 1%, 1%	0603
2	R178 R182	52-1307	RES 332 1% 1/16W SM 0603 TA	PT2543 R332-B1-0603,332 1%,1%	0603
1	R180	52-1366	RES 332K 1% 1/16W SM 0603 TA	PT2619 R332KB1-0603,332K 1%,1%	0603
4	R80 R88 R154 R159	52-1355	RES 39.2K 1% 1/16W SM 0603 TA	PT2608 R39.2KB1-0603,39.2K 1%, 1%	0603
1	R169	52-0000	RES 392K 1% 1/10W SM 0603 TA	PT2892 R392KB1-0603,392K 1%,1%	0603
4	R115 R118 R120 R224	52-1327	RES 4.53K 1% 1/16W SM 0603 TA	PT2565 R4.53KB1-0603,4.53K 1%, 1%	0603
10	R48 R75 R97 R129 R131 R147-148 R152 R157 R164	52-1329	RES 4.99K 1% 1/16W SM 0603 TA	PT2566 R4.99KB1-0603,4.99K 1%, 1%	0603
1	R171	52-1367	RES 412K 1% 1/16W SM 0603 TA	PT2620 R412KB1-0603,412K 1%,1%	0603
6	R10 R47 R95 R113 R139 R170	52-1368	RES 475K 1% 1/16W SM 0603 TA	PT2621 R475KB1-0603,475K 1%,1%	0603
8	R1-2 R4-7 R31 R107	52-1302	RES 49.9 1% 1/16W SM 0603 TA	PT2510 R49.9-B1-0603,49.9 1%,1%	0603
4	R92 R156 R172 R186	52-1356	RES 49.9K 1% 1/16W SM 0603 TA	PT2609 R49.9KB1-0603,49.9K 1%, 1%	0603

6	R165 R194 R197 R204 R207 R210	52-1308	RES 499 1% 1/16W SM 0603 TA	PT2545	1% R499-B1-0603,499 1%,1%	0603
1	R212	52-1330	RES 5.49K 1% 1/16W SM 0603 TA	PT2567	R5.49KB1-0603,5.49K 1%,1%	0603
2	R37-38	52-0210	RES 5.62K 1% 1/4W MELF 1406 TA	PT3812	R5.62K-E1-MELF-1406, 5.62K 1%,1%	MELF-1406
1	R133	52-1332	RES 6.04K 1% 1/16W SM 0603 TA	PT2577	R6.04KB1-0603,6.04K 1%,1%	0603
2	R13-14	52-4570	RES 6.81K 1% 1/4W SM MELF 1406 TA	PT3646	R6.81K-E1-MELF-1406, 6.81K 1%,1%	MELF-1406
4	R177 R217-219	52-1333	RES 6.81K 1% 1/16W SM 0603 TA	PT2578	R6.81KB1-0603,6.81K 1%,1%	0603
1	R198	52-1303	RES 60.4 1% 1/16W SM 0603 TA	PT2511	R60.4-B1-0603,60.4 1%,1%	0603
2	R215 R221	52-0196	RES 619K 1% 1/10W SM 0603 TA	PT2894	R619KB1-0603,619K 1%,1%	0603
2	R51 R126	52-1358	RES 63.4K 1% 1/16W SM 0603 TA	PT2611	R63.4KB1-0603,63.4K 1%,1%	0603
1	R44	52-1311	RES 681 1% 1/16W SM 0603 TA	PT2548	R681-B1-0603,681 1%,1%	0603
1	R141	52-1359	RES 75K 1% 1/16W SM 0603 TA	PT2612	R75KB1-0603,75K 1%,1%	0603
1	H3	32-1212-D	RBN CBL 14 COND 4.25" PCB CON\KEY CON	PT2702	RC14-321212D, RC14-321212D	RC321212
3	SC1-3	34-0125	SWITCH CAP BLACK ROUND 2.8mm MINI	PT1354	SC340125,SC340125	SC340125-FPE
3	SW1-3	44-0050	SWITCH DPDT MINI IN-OUT 6 PIN E-SWITCH	PT1256	SW440050,SW440050	SW440050
1	TP1	OMIT	OMIT TEST POINT ENGINEERING PROBE POINT SM (32-0276)	PT3332	TP320276-O, OMIT(TP320276),5%	TESTPOINTSMT1
1	U17	72-4331	IC CA3046M NPN TRANSISTOR ARRAY TR	PT2991	UCA3046M-S,CA3046M	SO14
1	U2	70-0070	V-REG L7815CD2T +15V 1A TA	PT2817	UL7815CD2T-S,L7815CD2T	TO263(D2PAK)
1	U1	70-0069	V-REG L7915CD2T -15V 1A TA	PT2819	UL7915CD2T-S,L7915CD2T	TO263(D2PAK)
5	U4-5 U9-10 U18	72-4034	IC LM339 QUAD COMPARATOR SO14 CB	PT1048	ULM339-S,LM339	SO14
2	U3 U6	72-1480	IC NJM4580 DUAL OP-AMP SO8 CB	PT1374	UNJM4580-S,NJM4580	SO8
3	U7 U11 U15	72-0362	IC THAT4305 VCA / RMS-LEVEL DETECTOR QSOP16	PT4206	UTHAT4305-QS,THAT4305	QSOP16
5	U8 U12-14 U16	72-1450	IC TL074 Op Amp Quad JFET Input SM TA	PT1049	UTL074-S,TL074	SO14
1	VR4	40-0053	POT 10K C X2 16mm ROT 41 CLK 15mm D-SHF	PT4216	VR10K400053,10K-C	VR17X2-15DH
1	VR7	40-2127	POT 50K C 16mm ROT X2 41 CLK 15mm D-SF H	PT2283	VR50K402127,50Kx2-C	VR16X2-15DH
1	VR6	40-2136	POT 50K A 16mm ROT 41 CLK 15mm D-SFT HOR	PT1067	VR50K402136,50K-A	VR16-15DH
4	VR5 VR9 VR11 VR13	40-2138	POT 50K B 16mm ROT 41 CLK 15mm D-SFT HOR	PT1068	VR50K402138,50K-B	VR16-15DH
2	VR1 VR3	42-0011	POT 50K B 6.8mm TRIM VRT ADJ SM	PT4214	VR50K420011,50K-B	VRTRIM10
1	VR2	OMIT	OMIT POT 50K B 6.8mm TRIM VRT ADJ SM (42-0011)	PT4215	VR50K420011-O,OMIT 50K-B	VRTRIM10
3	VR8 VR10 VR12	40-2130	POT 5K C 16mm ROT 41 CLK 15mm D-SFT HOR	PT1065	VR5K402130,5K-C	VR16-15DH